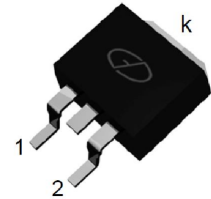


Features

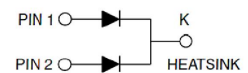
- Plastic package has underwriters Laboratory Flammability Classification 94V-0
- Dual rectifier construction, positive center tap
- Low forward voltage, high efficiency



Package: TO-263 (D²PAK)

Mechanical Data

- Case: epoxy, molded
- Weight: 1.4grams (approximately)
- Lead temperature for soldering purpose: 260°C max. for 10 sec
- 800 pcs per reel



Schematic Diagram

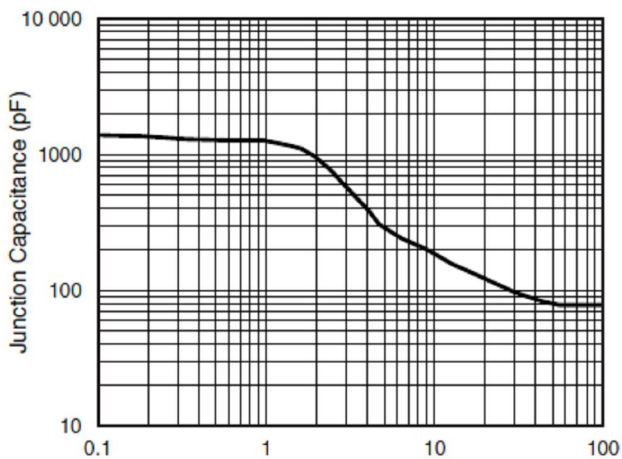
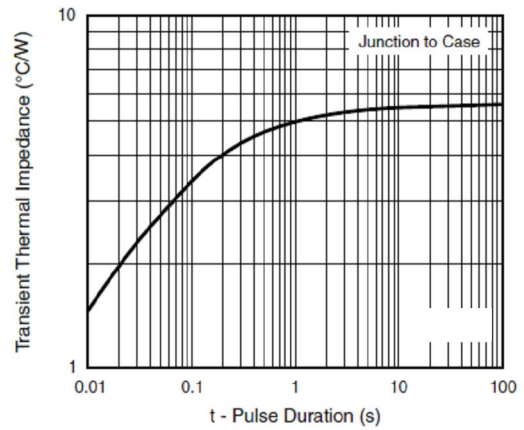
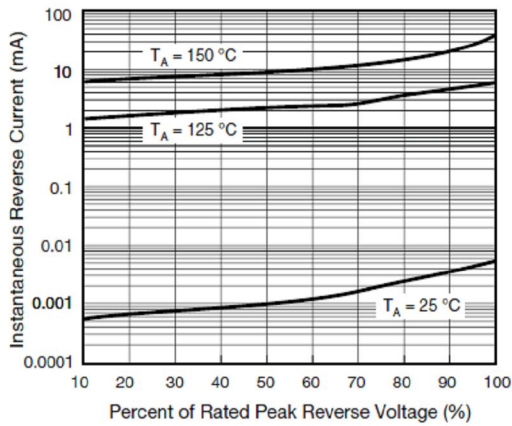
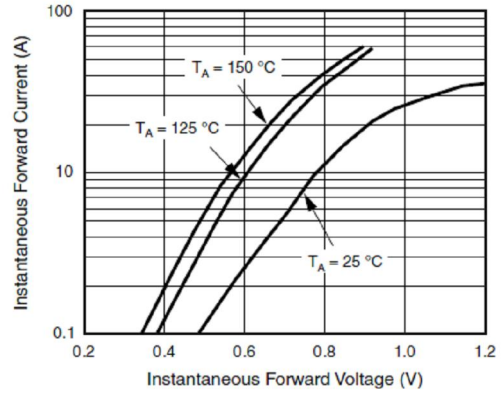
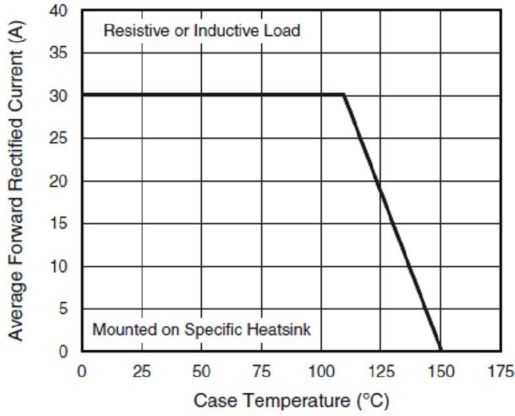
Maximum Ratings & Electrical Characteristics

(T_A=25°C unless otherwise noted)

| Parameter | Test Conditions | Symbol | Value | Unit |
|------------------------------------------------------------------------------------------------|-------------------------------------------------|--------------------|-------------|-------------|
| Maximum Repetitive Peak Reverse Voltage | | V _{RRM} | 200 | V |
| Working Peak Reverse Voltage | | V _{RWM} | 200 | V |
| Maximum DC Blocking Voltage | | V _{DC} | 200 | V |
| Maximum Average Forward Rectified Current @ T _c =105°C | Total Device Per Diode | I _{F(AV)} | 30 15 | A |
| Peak Forward Surge Current 8.3ms Single Half Sine-wave Superimposed on Rated Load per Diode | | I _{FSM} | 200 | A |
| Peak repetitive Reverse Current Per Leg at tp=2.0μs ,1KHz | | I _{RRM} | 2.0 | A |
| Voltage Rate of Change (rated V _R) | | DV/dt | 10000 | V/μs |
| Operating Junction Temperature Range | | T _J | - 55 to+150 | °C |
| Storage Temperature Range | | T _{STG} | - 55 to+150 | °C |
| Maximum Instantaneous Forward Voltage per Leg | I _F =10A T _C =25°C | V _F | 0.80 (typ.) | V |
| | I _F =15A T _C =25°C | | 0.98 | |
| | I _F =15A T _C =125°C | | 0.89 | |
| Maximum Reverse Current per Leg at Working Peak Reverse Voltage | T _J =25°C | I _R | 500 | μA |
| | T _J =100°C | | 50 | mA |
| Thermal Characteristics (T_A=25°C unless otherwise noted) | | | | |
| Symbol | Parameter | Typ. | | Unit |
| R _{θJC} | Thermal Resistance, Junction to Case per Leg | 2.0 | | °C/W |
| R _{θJA} | Thermal Resistance, Junction to Ambient per Leg | 62.5 | | °C/W |

Note: Pulse test:300us pulse width, duty cycle=2%

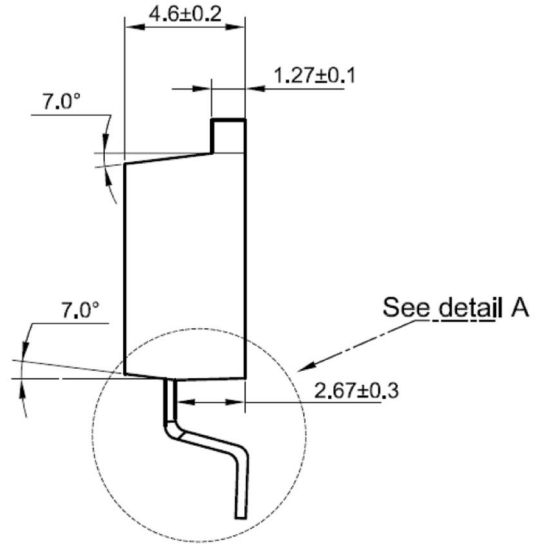
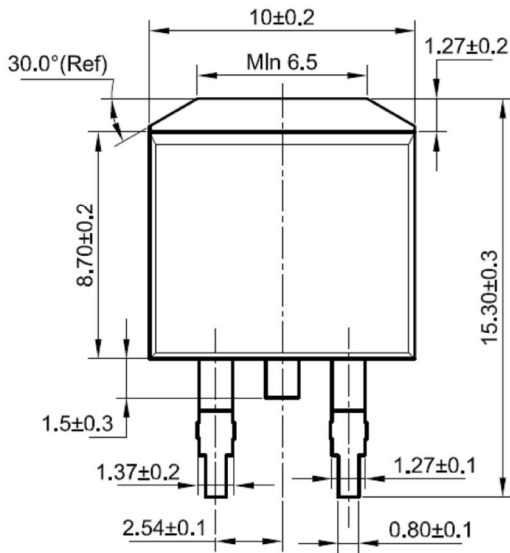
Ratings and Characteristics Curves ($T_A = 25^\circ\text{C}$ unless otherwise noted)



Package Outline Dimensions

in millimeters

TO-263 (D²PAK)



Detail A

