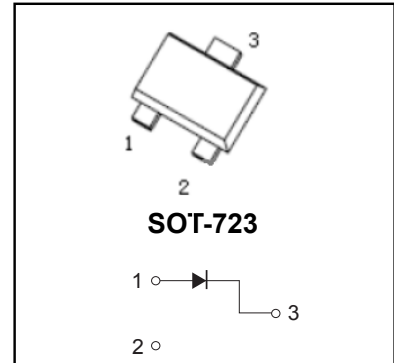


Features

- Extremely Fast Switching Speed
- Low Forward Voltage



Absolute Maximum Ratings

(T_A=25°C unless otherwise specified)

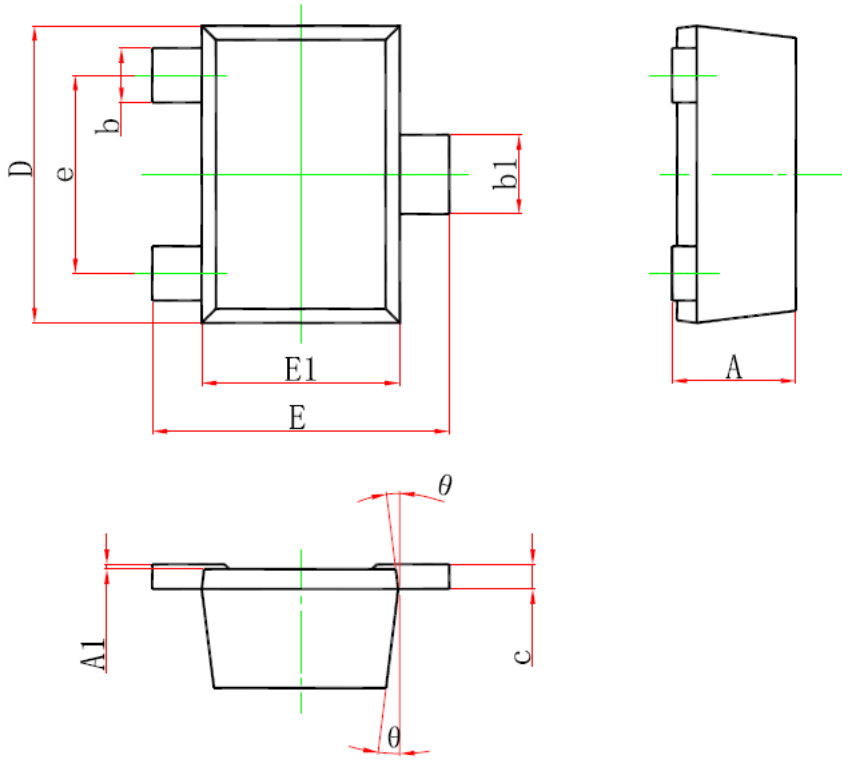
Parameter	Symbol	Value	Unit
Peak Repetitive Reverse Voltage	V _{RRM}	30	V
Working Peak Reverse Voltage	V _{RWM}		
RMS Reverse Voltage	V _{R(RMS)}	21	V
Average Forward Current	I _O	200	mA
Power Dissipation	P _D	150	mW
Thermal Resistance from Junction to Ambient	R _{θJA}	667	°C/W
Junction Temperature	T _J	125	°C
Storage Temperature	T _{stg}	-55~+150	°C

Electrical Characteristics

(T_A=25°C unless otherwise specified)

Parameter	Symbol	Test conditions	Min	Typ	Max	Unit
Reverse Voltage	V _(BR)	I _R =100μA	30			V
Reverse Current	I _R	V _R =25V			2	μA
Forward Voltage	V _F	I _F =0.1mA			0.24	V
		I _F =1mA			0.32	
		I _F =10mA			0.4	
		I _F =30mA			0.5	
		I _F =100mA			1	
Total Capacitance	C _{tot}	V _R =1V, f=1MHz			10	pF
Reverse Recovery Time	t _{rr}	I _F = I _R =10mA, I _{R(REC)} =1mA			5	ns

Package Outline Dimensions



Symbol	Dimensions In Millimeters		Dimensions In Inches	
	Min.	Max.	Min.	Max.
A	0.430	0.500	0.017	0.020
A1	0.000	0.050	0.000	0.002
b	0.170	0.270	0.007	0.011
b1	0.270	0.370	0.011	0.015
c	0.080	0.150	0.003	0.006
D	1.150	1.250	0.045	0.049
E	1.150	1.250	0.045	0.049
E1	0.750	0.850	0.030	0.033
e	0.800TYP.		0.031TYP.	
θ	7° REF.		7° REF.	