

# GSMR751 thru GSMR760

Button Rectifiers

Reverse Voltage 100V to 1000V Forward Current 35A

## Features

- Low leakage
- Low forward voltage drop
- High current capability
- High forward surge current capability
- High temperature soldering guaranteed: 250°C for 10 seconds



**Axial Lead Button**

## Mechanical Data

- Case: transfer molded plastic
- Polarity: color ring denotes cathode
- Lead: plated lead, solderable per MIL-STD-202E method 208°C
- Mounting position: Any

**Absolute Maximum Ratings** ( $T_A=25^\circ\text{C}$  unless otherwise noted. Single phase, half sine wave, 60Hz, resistive or inductive load.)

Parameter	Symbol	GSMR	GSMR	GSMR	GSMR	GSMR	GSMR	Units
		751	752	754	756	758	760	
Maximum Recurrent Reverse Voltage	$V_{RRM}$	100	200	400	600	800	1000	V
Maximum RMS Voltage	$V_{RMS}$	70	140	280	420	560	700	V
Maximum DC Blocking Voltage	$V_{DC}$	100	200	400	600	800	1000	V
Maximum Average Forward Rectified Current at $T_C=60^\circ\text{C}$	$I_{(AV)}$	35						A
Peak Forward Surge Current Single Sine-Wave on Rated Load (JEDEC Method)	$I_{FSM}$	300						A
Maximum Instantaneous Forward Voltage Drop at 6A, $T_J=25^\circ\text{C}$	$V_F$	1.0						V
Maximum DC Reverse Current at Rated DC Blocking Voltage	$T_A=25^\circ\text{C}$	5.0						$\mu\text{A}$
	$T_A=100^\circ\text{C}$							
Operating and Storage Temperature Range	$T_J/T_{STG}$	-55 to +150						$^\circ\text{C}$

## Ratings and Characteristics Curves ( $T_A = 25^\circ\text{C}$ unless otherwise noted)

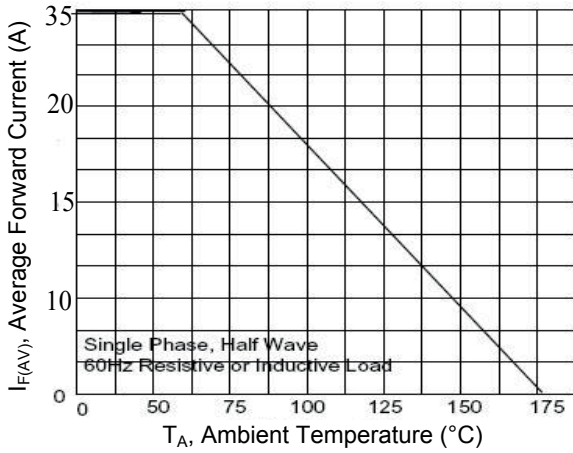


Figure1. Derating Curve for Output Rectifier Current

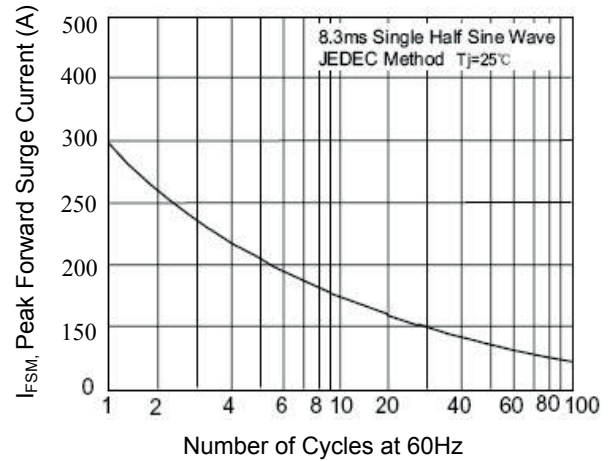


Figure 2. Maximum Non-Repetitive Peak Forward Surge Current

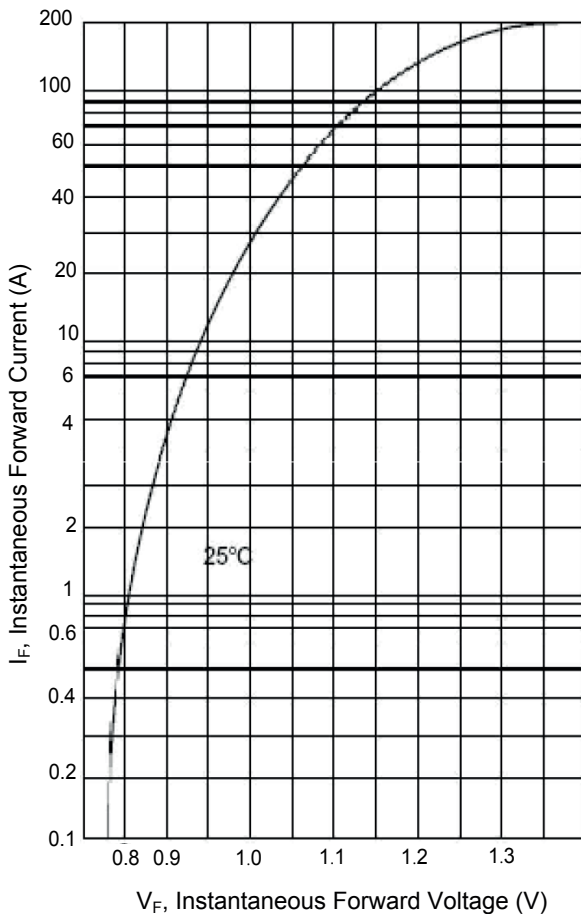


Figure 3. Typical Instantaneous Forward Characteristics

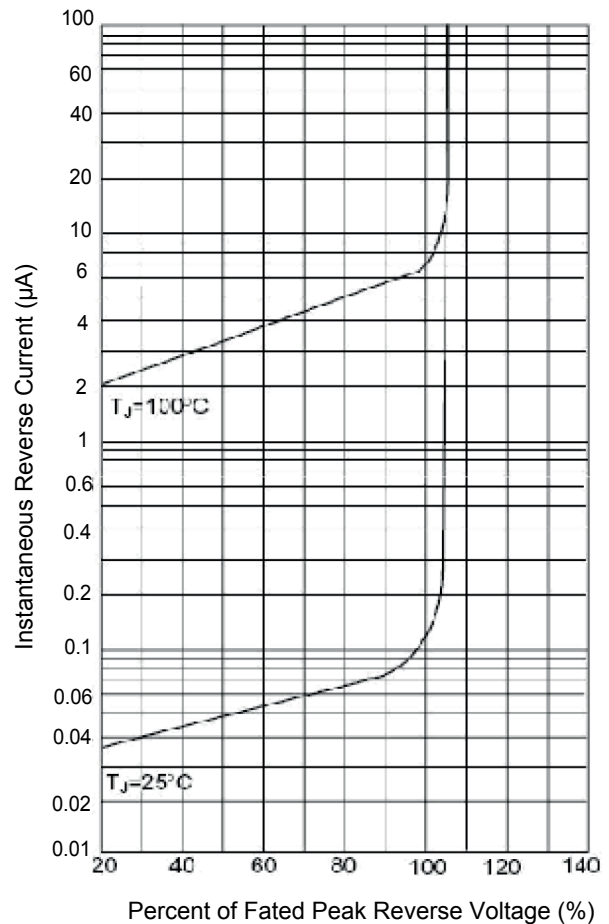


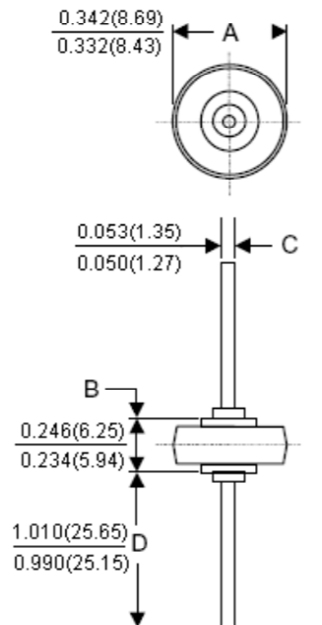
Figure 4. Typical Reverse Characteristics

# GSMR751 thru GSMR760

Button Rectifiers

Reverse Voltage 100V to 1000V Forward Current 35A

## Package Outline Dimensions (Axial Lead Button)



Dimension in inches (millimeters)