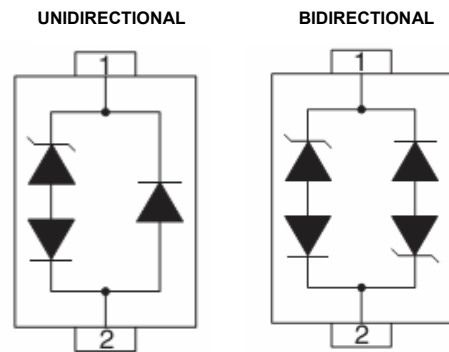


Features

- 350W peak pulse power per line ($t_p = 8/20\mu s$)
- Replacement for MLV(0805)
- Unidirectional or Bidirectional configuration
- Protects one power or I/O port
- ESD protection > 40 KV
- Low clamping voltage
- RoHS compliant
- Transient protection for data lines to
 IEC61000-4-2 (ESD) $\pm 15KV$ (air), $\pm 8KV$ (contact);
 IEC61000-4-4 (EFT) 40A (5/50ns)
 IEC61000-4-5 (surge): 24A, 8/20us-Level 2 (line-ground)
 & level 3 (line-line)



SOD-323



Schematic Diagram

Applications

- Ethernet- 10/100/1000 Base T
- Cellular phones
- Handheld- Wireless Systems
- PDAs
- USB Interface

Absolute Maximum Ratings

($T_A = 25^\circ C$ unless otherwise specified)

Rating	Symbols	Value	Units
Unidirectional Peak Pulse Power ($T_P = 8/20\mu s$)	P_{PP}	350	W
Operating Temperature	T_J	-55 to +150	$^\circ C$
Storage temperature	T_{STG}	-55 to +150	$^\circ C$

Electrical Characteristics per line

(T_A=25°C unless otherwise specified)

Divice	V _{RWM}	IR @ V _{RWM}	Min Breakdown Voltage V _{BR} @1mA	Max Clamping Voltage V _C		Typ C _J
				@I _P =1A	@I _{PP}	@0V,1MHz
	Volts	uA	Volts	Volts	Volts	pF
SESLC3V3D323-2U	3.3	1	4.0	7.0	19.0@ 20.0A	3
SESLC3V3D323-2B	3.3	1	4.0	7.0	19.0@ 20.0A	3
SESLC5VD323-2B	5	1	6.0	9.8	18.3@ 17.0A	3
SESLC12VD323-2B	12	1	13.3	19.0	28.6@ 11.0A	3
SESLC24VD323-2B	24	1	26.7	43.0	56.0@ 6.0A	3

Typical Characteristics Curves

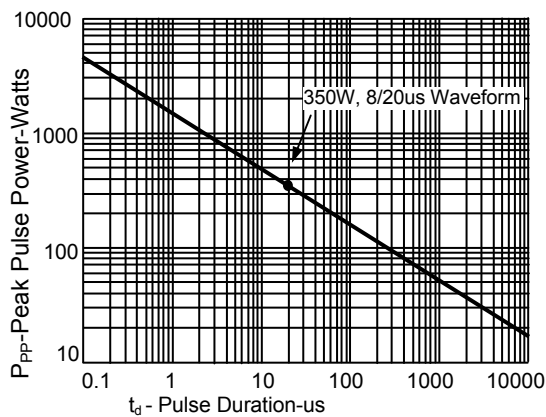


Figure 1. Peak Pulse Power vs Pulse Time

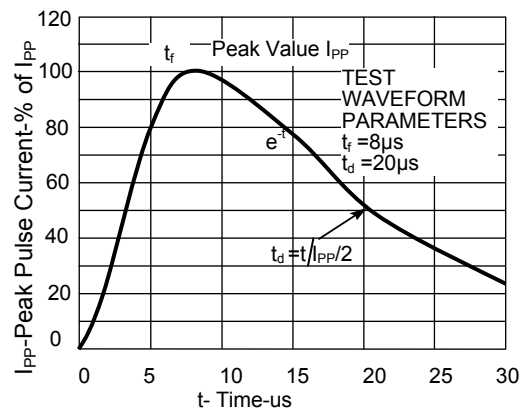
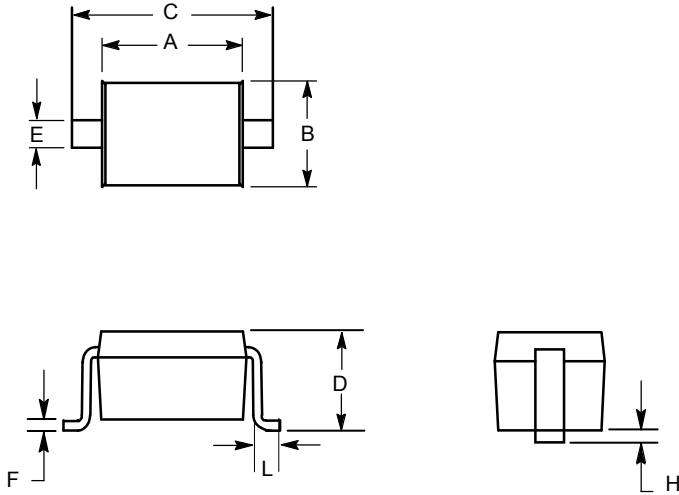


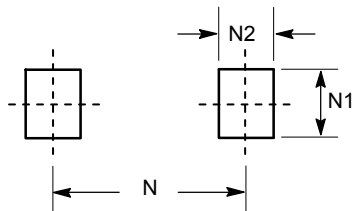
Figure 2. Pulse Waveform

Package Outline Dimensions (SOD-323)



Dim	millimeters	
	min	max
A	1.60	1.90
B	1.15	1.45
C	2.39	2.70
D	0.80	1.10
E	0.25	0.40
F	0.10	0.20
H	-	0.10
L	0.20	-

Recommended Pad Dimensions



Dim	millimeters	
	min	max
N1	-	*0.80
N2	-	*0.80
N	-	*3.00

Order Information

Device	Package	Net Weight	Carrier	Quantity	HSF Status
SESLCxVD323-2X	SOD-323	0.0045g	Tape & Reel	3000pcs	RoHS compliant