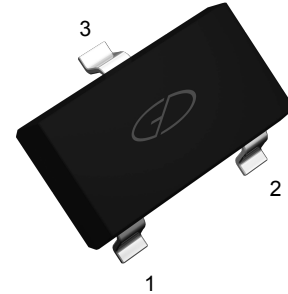
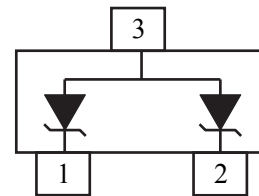


Features

- 300 Watts peak pulse power ($t_P = 8/20\mu s$)
- SOT-23 package
- Protects one bidirectional or two unidirectional lines
- Fast response time, typically < 1 ns
- Excellent clamping voltage
- Low leakage current
- IEC 61000-4-2 ± 15 kV (Air) ESD protection
- IEC 61000-4-2 ± 8 kV (Contact) ESD protection
- IEC 61000-4-4 40A (5/50ns) EFT protection
- RoHS compliant



Package: SOT-23



Schematic Diagram

Applications

- Cellular Handsets and Accessories
- Portable Electronics
- Control & Monitoring Systems
- Servers, Notebooks, and Desktop PCs
- Set-Top Box
- Communication Systems

Absolute Maximum Ratings ($T_A=25^\circ C$ unless otherwise specified)

Parameter	Symbol	Value	Unit
Peak Pulse Power ($T_P=8/20\mu S$)	P_{PP}	300	W
Peak Pulse Current ($T_P = 8/20\mu S$)	I_{PP}	10	A
Junction Temperature	T_J	-55 to +150	$^\circ C$
Storage Temperature	T_{STG}	-55 to +150	$^\circ C$

Electrical Characteristics ($T_A=25^\circ C$ unless otherwise specified)

Parameter	Symbols	Conditions	Min	Typ	Max	Units
Reverse stand-off Voltage	V_{RWM}	-	-	-	12	V
Reverse Breakdown Voltage	V_{BR}	$I_T=1mA$	13.3	-	16.5	V
Reverse Leakage Current	I_R	$V_R=12V$	-	-	1	μA
Clamping Voltage	V_C	$I_{PP}=1A, T_P=8/20\mu S$	-	-	16	V
Clamping Voltage	V_C	$I_{PP}=10A, T_P=8/20\mu S$	-	-	28	V
Junction Capacitance	C_J	$V_R=0V, f=1MHz$	-	60	-	pF

Typical Characteristic Curves

Fig.1 Peak Pulse Power vs Pulse Time

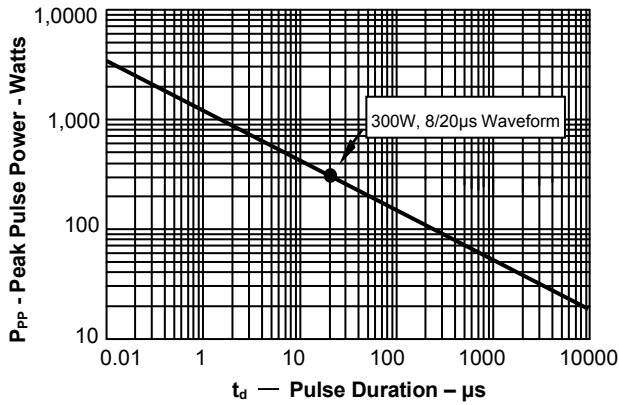


Fig.2 Pulse WaveForm-8/20μs

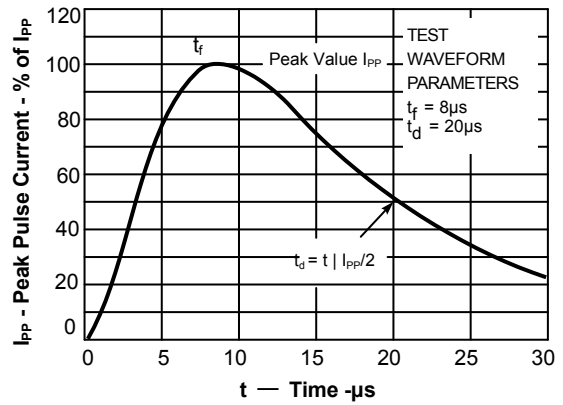


Fig.3 Power Derating Curve

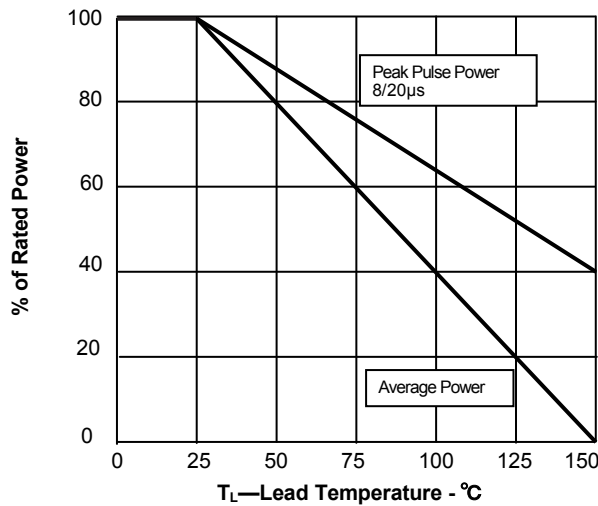
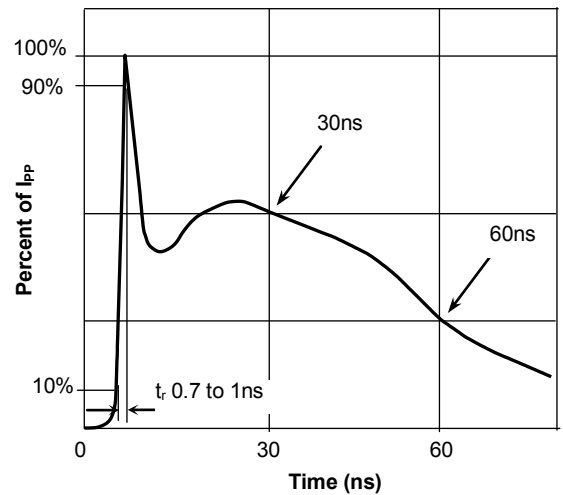
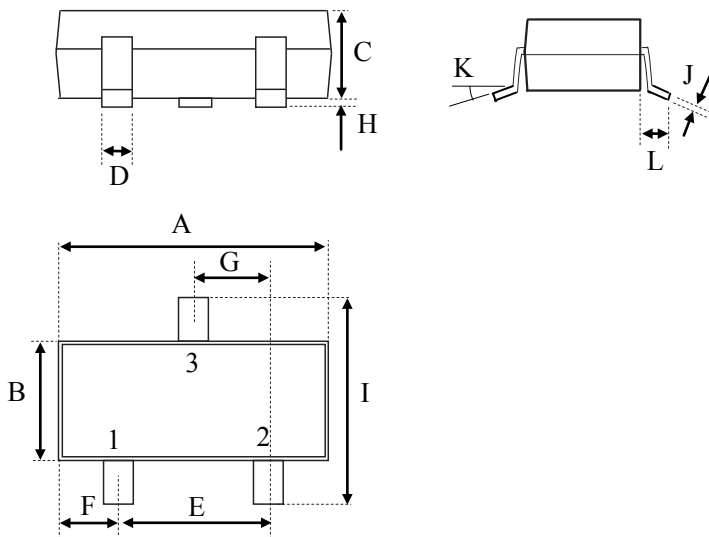


Fig.4 Pulse Waveform-ESD(IEC61000-4-2)



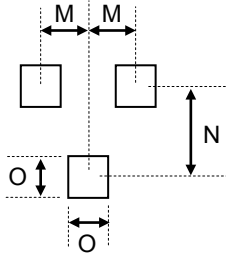
Product Dimensions



SOT-23

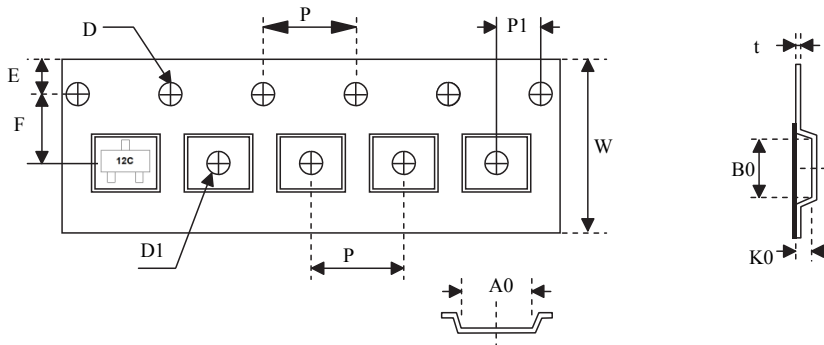
Dim	millimeters	
	min	max
A	2.80	3.04
B	1.20	1.40
C	0.89	1.11
D	0.37	0.50
E	1.78	2.04
F	0.45	0.60
G	0.89	1.02
H	0.013	0.100
I	2.10	2.50
J	0.085	0.177
K	0°	10°
L	0.45	0.60

PAD Dimensions



Dim	millimeters
O	0.85
M	0.95
N	2.00

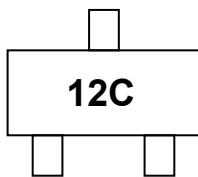
Package Information



Unit:mm

A0	B0	K0	D1	D	E	F	W	P	P1	t
3.15±0.10	2.77± 0.10	1.22±0.10	0.95~1.10	1.50~1.60	1.75±0.10	3.50±0.05	7.90~8.3	4.00± 0.10	2.00± 0.05	0.22± 0.40

Marking



Order Information

Device	Package	Net Weight	Carrier	Quantity	HSF Status
SES12VT23-3	SOT-23	0.0090g	Tape & Reel	3000pcs	RoHS compliant