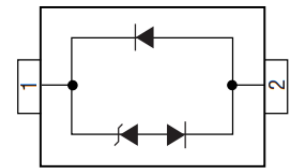


**Features**

- 311W peak pulse power (tp= 8/20μs)
- SOD-323 package
- Unidirectional configuration
- Protects one power or I/O line
- Low clamping voltage
- RoHS compliant
- Transient protection for data lines to  
 IEC61000-4-2 (ESD) ±30KV(air), ±30KV(contact);  
 IEC61000-4-4 (EFT) 40A (5/50ns)  
 IEC61000-4-5 (surge): 17A (8/20us)



**Schematic Diagram**

**Applications**

- Ethernet - 10/100/1000 Base T
- Cellular Phones
- Handheld - Wireless Systems
- PDAs
- USB Interface

**Absolute Maximum Ratings**

(T<sub>A</sub>=25°C unless otherwise specified)

Rating	Symbols	Value	Units
Peak Pulse Power (T <sub>p</sub> =8/20μS)	P <sub>PP</sub>	311	W
Operating Temperature Range	T <sub>J</sub>	-55 to +150	°C
Storage Temperature Range	T <sub>STG</sub>	-55 to +150	°C

**Electrical Characteristics**

(T<sub>A</sub>=25°C unless otherwise specified)

Parameter	Symbols	Min.	Typ.	Max.	Units
Reverse Stand-Off Voltage	V <sub>RWM</sub>	-	5	-	V
Reverse Leakage Current	I <sub>R</sub>	-	1	-	μA
Reverse Breakdown Voltage, @1mA	V <sub>BR</sub>	6	-	-	V
Clamping Voltage, @I <sub>p</sub> =1A	V <sub>C</sub>	-	-	9.8	V
Clamping Voltage, @I <sub>pp</sub> =17A		-	-	18.3	
Junction Capacitance, @V <sub>R</sub> =0V, f=1MHz	C <sub>J</sub>	-	1	-	pF

**Typical Characteristic Curves**

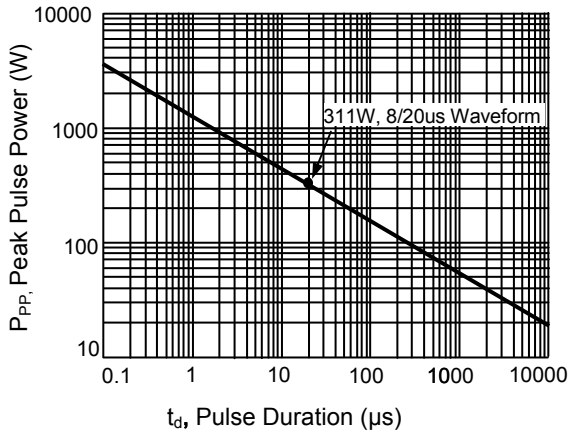


Figure 1. Peak Pulse Power vs. Pulse Time

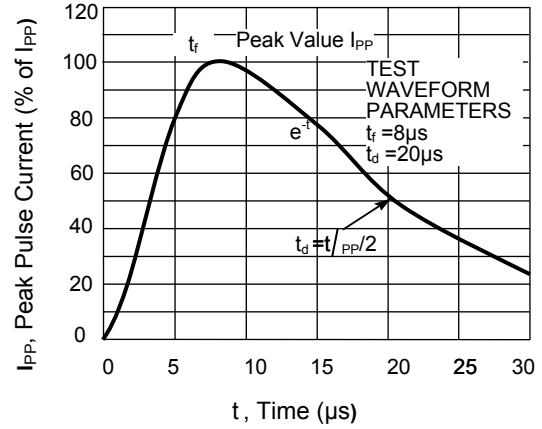
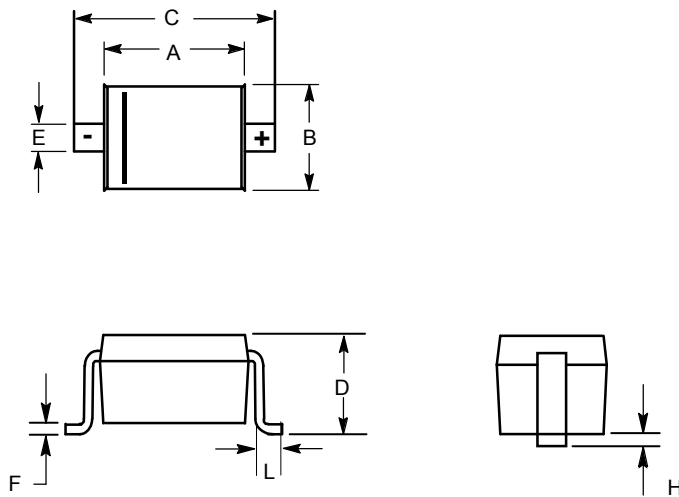


Figure 2. Pulse Waveform

**Package Outline Dimensions (SOD-323)**



Symbol	Dimensions in Millimeters	
	Min	Max
A	1.60	1.90
B	1.15	1.45
C	2.39	2.70
D	0.80	1.10
E	0.25	0.40
F	0.10	0.20
H	-	0.10
L	0.20	-

**Order Information**

Device	Package	Quantity	Carrier	HSF Status
GSEDC5U010	SOD-323	3,000 pcs / Reel	Tape & Reel (7")	RoHS Compliant