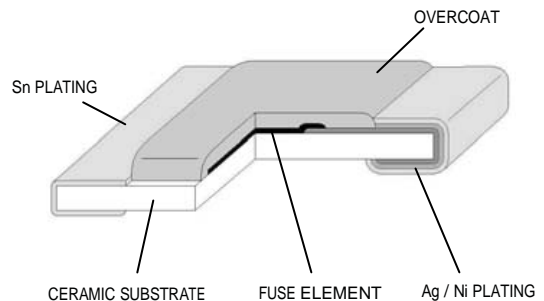


Description

- Fast acting for excessive current
- Compatible with reflow and wave solder
- Rugged ceramic construction
- Excellent environmental performance
- RoHS Compliant and Lead Free

Applications

- Telecommunication: PDA / DSL/ Cell Phones
- Computers: LCD Panels / Printers/ Laptops/ Servers
- Consumer Electronics: DVD players / MP3 and MP4 Players



Environmental Data

- Life Test: 30°C ±2°C, 75% rated current, 1000 hours
- Humidity Bias: MIL-STD-202, Method 103
- Thermal Shock: MIL-STD-202, Method 107G
- Board Flex: AEC-Q200-005 Appendix 2 Note: 1mm (Min)
- Vibration: MIL-STD-202, Method 204D
- Solderability: MIL-STD-202 Method 208H
- Resistance to Solder Heat: MIL-STD-202, Method 210A

Electrical Characteristics

Ampere Rating	% of Amp Rating	Opening Time
200mA-4A	100%	4 Hours Minimum
200mA-4A	250%	5 Seconds Maximum

Electrical Specifications

Product Code	Current Rating	Voltage Rating	Interrupting Rating*	Resistance (ohms)**	Typical Melt I ² t ***
		DC	DC	Typ.	DC (A ² s)
S0402F200	200mA	24V	35A	4.300	0.0008
S0402F250	250mA	24V	35A	3.200	0.0011
S0402F375	375mA	24V	35A	1.140	0.0021
S0402F500	500mA	24V	35A	1.200	0.0043

S0402F750	750mA	24V	35A	0.520	0.0110
S0402F1	1A	24V	35A	0.090	0.049
S0402F1.25	1.25A	24V	35A	0.075	0.052
S0402F1.5	1.5A	24V	35A	0.058	0.076
S0402F1.75	1.75A	24V	35A	0.045	0.13
S0402F2	2A	24V	35A	0.035	0.18
S0402F2.5	2.5A	24V	35A	0.025	0.23
S0402F3	3A	24V	35A	0.019	0.33
S0402F3.5	3.5A	24V	35A	0.018	0.45
S0402F4	4A	24V	35A	0.014	0.65

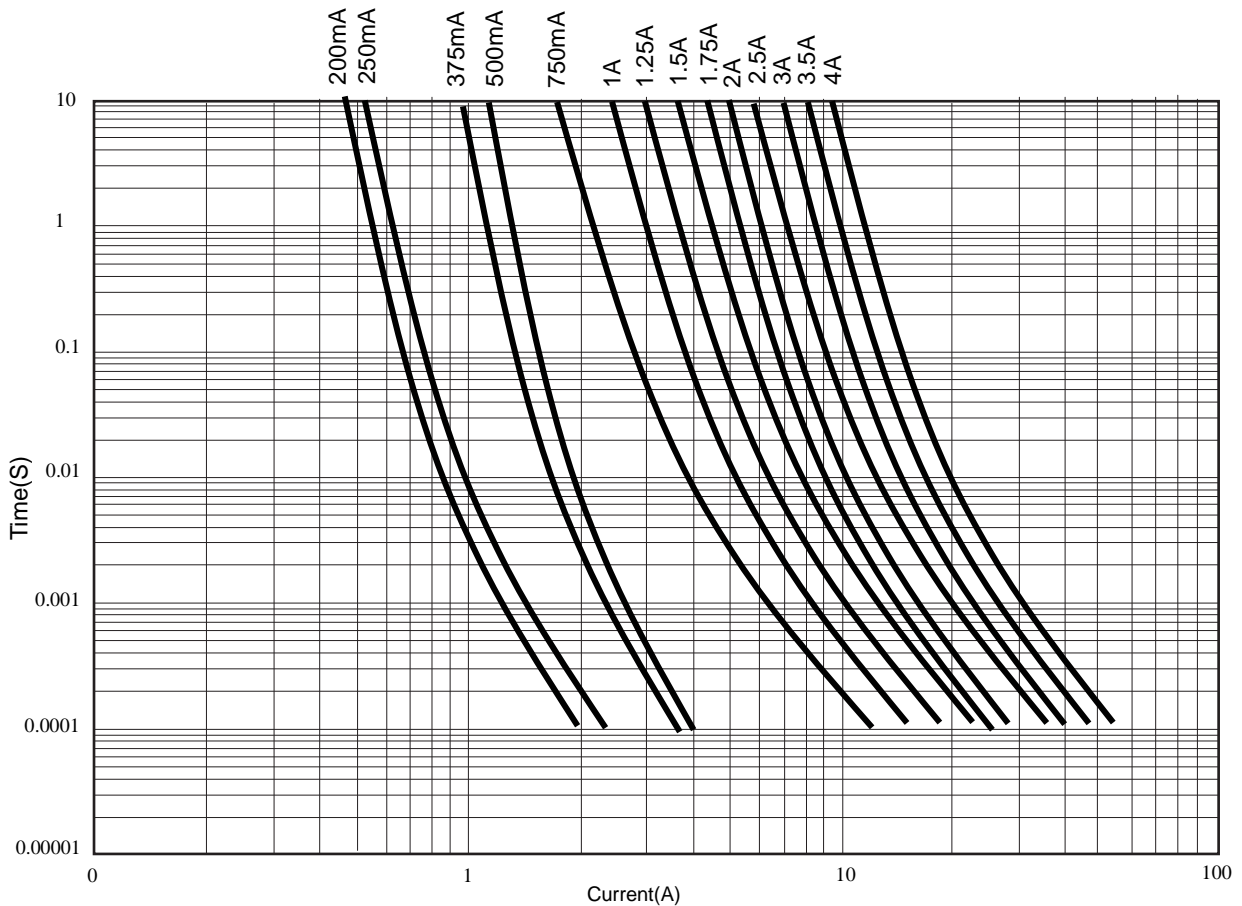
*DC interrupting rating (Measured at rated voltage, time constant of less than 50 microseconds, battery source)

**DC Cold Resistance (Measured at 10% of rated current)

*** Typical Melting I²t (Measured with a battery bank at rated DC voltage, Measured at 1ms open time)

Device designed to carry rated current for four hours minimum. An operating current of 75% or less of rated current is recommended, with further derating required at elevated ambient temperatures.

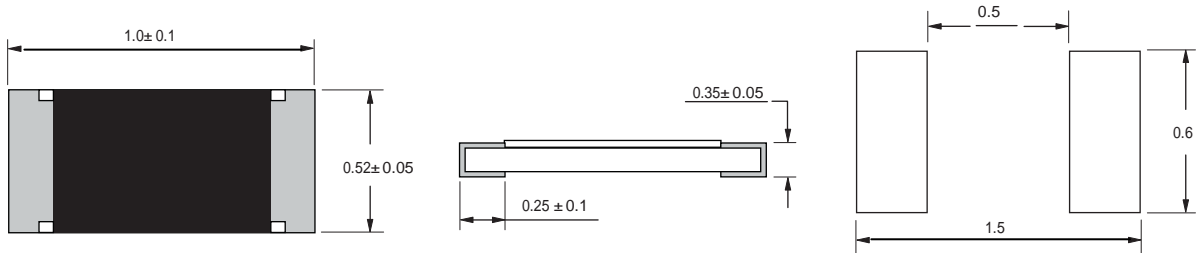
Typical Performance Curves



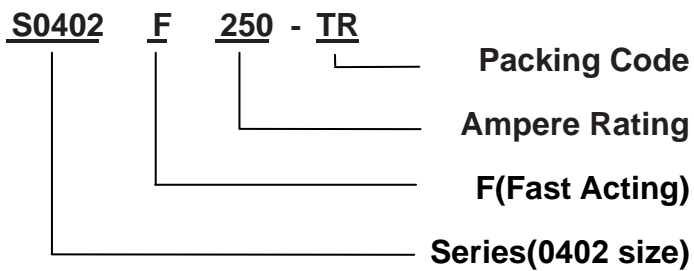
Product Dimensions

Recommended Pad Layout

DIMENSIONS:mm



Part Number System



Specify Packaging and product code (i.e. S0402F250-TR)

Note: TR: 10,000 pieces of fuses on 8mm tape and reel on a 7 inch (178mm) reel per EIA Standard 481