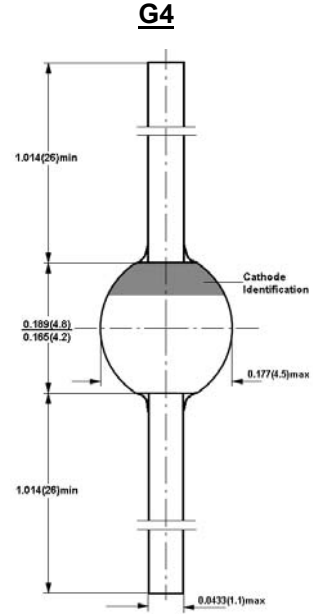


Features

- Glass passivated
- Hermetically sealed package
- Low reverse current
- Soft recovery characteristics

Mechanical Data

- Case: G-4 sintered glass case
- Terminal: Plated axial leads solderable per JSTD-002
- Polarity: Color band denotes cathode



Dimensions in inches and (millimeters)

Absolute Maximum Ratings and Electrical Characteristics

(single-phase, half-wave, 60Hz, $T_A=25^\circ\text{C}$ unless otherwise noted)

	Symbol	1N5419	Unit
Maximum Recurrent Peak Reverse Voltage	V_{RRM}	500	V
Maximum RMS Voltage	V_{RMS}	350	V
Maximum DC Blocking Voltage	V_{DC}	500	V
Maximum Reverse Breakdown Voltage $I_R=50\mu\text{A}$	V_{BR}	550	V
Maximum Average Forward Rectified Current 3/8"lead Length at $T_a=55^\circ\text{C}$	I_{FAV}	3.0	A
Peak Forward Surge Current 8.3ms Single Half Sine-wave Superimposed on Rated Load	I_{FSM}	80	A
Maximum Forward Voltage at Forward Current 9.0A	V_F	1.5	V
Maximum DC Reverse Current $T_a = 25^\circ\text{C}$ at Rated DC Blocking Voltage $T_a = 100^\circ\text{C}$	I_R	1.0 20.0	μA
Maximum Reverse Recovery Time (Note 1)	T_{rr}	250	nS
Typical Junction Capacitance (Note 2)	C_j	50.0	pF
Typical Thermal Resistance (Note 3)	$R_{th(ja)}$	20.0	$^\circ\text{C/W}$
Storage and Operating Junction Temperature	T_{stg}, T_j	-65 to +175	$^\circ\text{C}$

Note:

1. Reverse Recovery Condition $I_f = 0.5\text{A}$, $I_r = 1.0\text{A}$, $I_{rr} = 0.25\text{A}$
2. Measured at 1.0 MHz and applied reverse voltage of 4.0Vdc
3. Thermal Resistance from Junction to Ambient at 3/8"lead length, P.C. Board Mounted

Typical Electrical Characteristic Curves

