

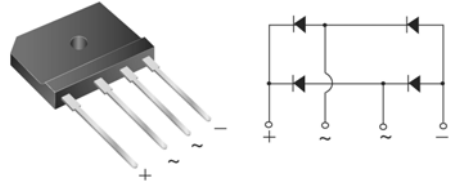


GBJ10A thru GBJ10M

Glass Passivated Single-Phase Bridge Rectifiers
Reverse Voltage 50 to 1000 Volts Forward Current 10.0 Amperes

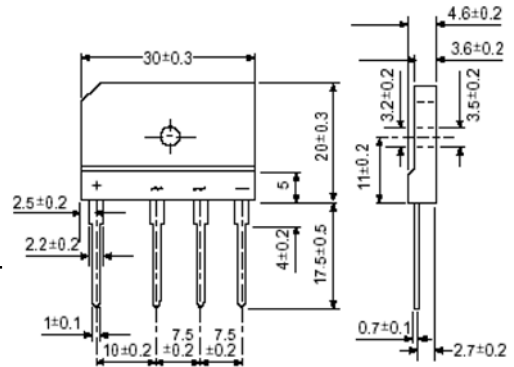
Features

- ◆ Glass passivated junction
- ◆ Ideal for printed circuit board
- ◆ Reliable low cost construction
- ◆ Plastic material has Underwriters Laboratory Flammability Classification 94V-0
- ◆ Surge overload rating to 200 amperes peak
- ◆ High case dielectric strength of 2500V_{RMS}



Mechanical Data

- ◆ Case: GBJ(5S)
Epoxy meets UL-94V-0 Flammability rating
- ◆ Terminals: Leads solderable per MILSTD-750 Method 2026
- ◆ High temperature soldering guaranteed:
260°C/10 seconds, 0.375 (9.5mm) lead length,
5lbs.(2.3kg) tension
- ◆ Weight: 0.24 ounce, 6.8 grams
- ◆ Mounting torque: 8.17 in. lbs. max.



Package outline dimensions in millimeters

Typical Applications

General purpose use in ac-to-dc bridge full wave rectification for Switching Power Supply, Home Appliances, Office Equipment, Industrial Automation applications

Maximum Ratings and Electrical Characteristics

Rating at 25°C ambient temperature unless otherwise specified.

Parameter	Symbols	GBJ10A	GBJ10B	GBJ10D	GBJ10G	GBJ10J	GBJ10K	GBJ10M	Units
Maximum repetitive peak reverse voltage	V_{RRM}	50	100	200	400	600	800	1000	Volts
Maximum RMS voltage	V_{RMS}	35	70	140	280	420	560	700	Volts
Maximum DC blocking voltage	V_{DC}	50	100	200	400	600	800	1000	Volts
Maximum average forward rectified output current (See Fig.2)	$I_{F(AV)}$				10.0				Amps
Peak forward surge current, 8.3ms single half sine-wave superimposed on rated load (JEDEC Method)	I_{FSM}				200				Amps
Rating for fusing (t<8.3ms)	I^2t				166				A ² sec
Maximum instantaneous forward voltage drop per leg at 5.0A	V_F				1.0				Volt
Maximum DC reverse current at rated DC blocking voltage per leg	I_R				5.0 250.0				μA
Typical thermal resistance per leg (Note 1)	$R_{\theta JC}$				1.5				°C/W
Dielectric strength (Terminals to case, AC 1 minute)	V_{ISO}				2500				Volts
Operating junction and storage temperature range	T_J, T_{STG}				-55 to +150				°C

- Notes:**
1. Unit case mounted on AL plate heatsink
 2. Unit mounted on P.C.B.without Heatsink
 3. Recommended mounting position is to bolt down on heatsink with silicone thermal compound for maximum heat transfer with #6 screw

RATINGS AND CHARACTERISTIC CURVES

($T_A = 25^\circ\text{C}$ unless otherwise noted)

FIG. 1- MAXIMUM NON-REPETITIVE FORWARD SURGE CURRENT PER BRIDGE ELEMENT

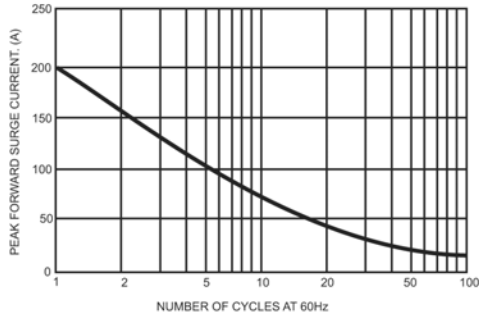


FIG. 2- MAXIMUM FORWARD CURRENT DERATING CURVE

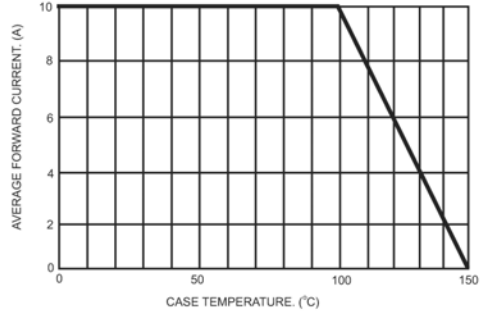


FIG. 3- TYPICAL INSTANTANEOUS FORWARD CHARACTERISTICS PER BRIDGE ELEMENT

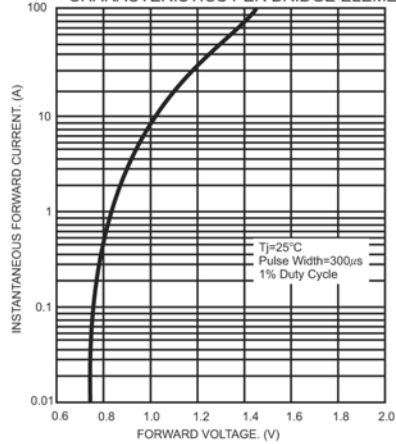


FIG. 4- TYPICAL REVERSE CHARACTERISTICS PER BRIDGE ELEMENT

